



INSTALLATION INSTRUCTIONS

Accessory

INTERIOR TRIM
P/N 08Z03-SJC-100A

Application

2014 RIDGELINE

Publications No.

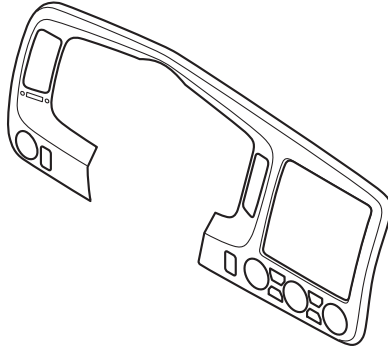
All 50345

Issue Date

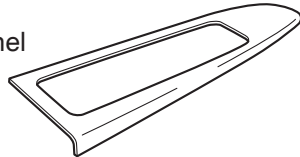
AUG 2013

PARTS LIST

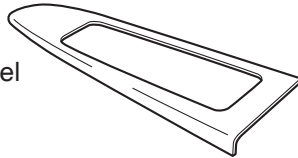
Meter panel



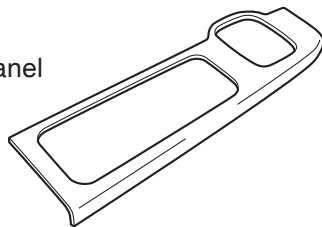
Left front door switch panel



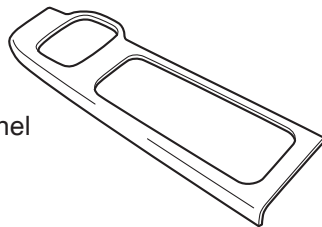
Right front door switch panel



Right rear door switch panel



Left rear door switch panel



TOOLS REQUIRED

Isopropyl alcohol
Shop towel
Masking tape

INSTALLATION

NOTE:

- Be extremely careful not to damage the interior panels.
- The interior trim should be installed only if the ambient air temperature is above 60°F (15°C).

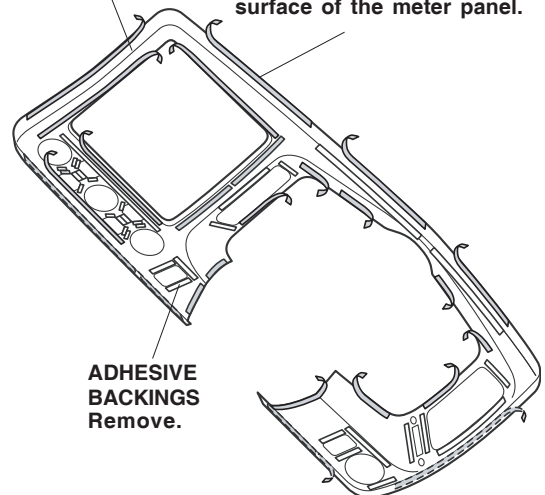
Installing the Meter Panel

1. Using isopropyl alcohol on a shop towel, thoroughly clean the area where the meter panel will attach.
2. With the meter panel placed upside down, attach a strip of masking tape to one end of each shaded adhesive backing. Remove 2 inches (5-6 cm) of the adhesive backings from the ends and fold them over as shown. Temporarily attach the strips of the masking tape to the outer surface of the meter panel. Remove all remaining adhesive backings from the meter panel.

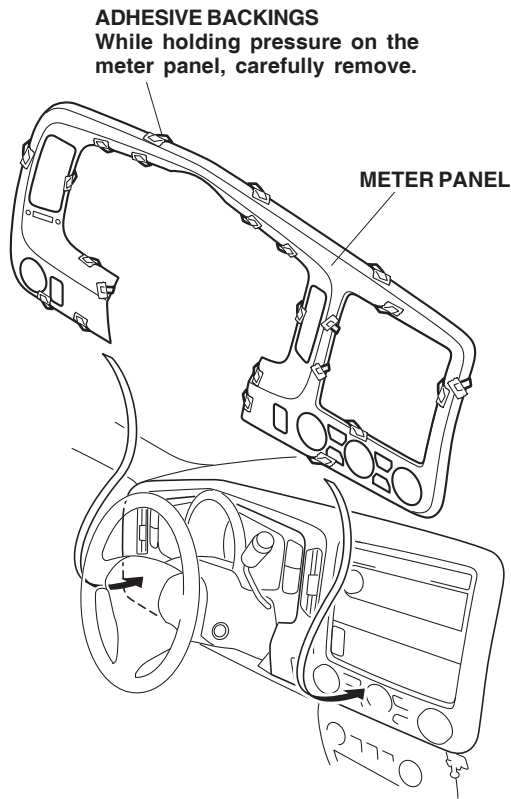
SHADED ADHESIVE BACKINGS
Attach masking tape to the ends, and remove 2 inches (5-6 cm) of adhesive backings. Fold the ends back, and attach the masking tape to the outer surface of the meter panel.

METER
PANEL

ADHESIVE
BACKINGS
Remove.

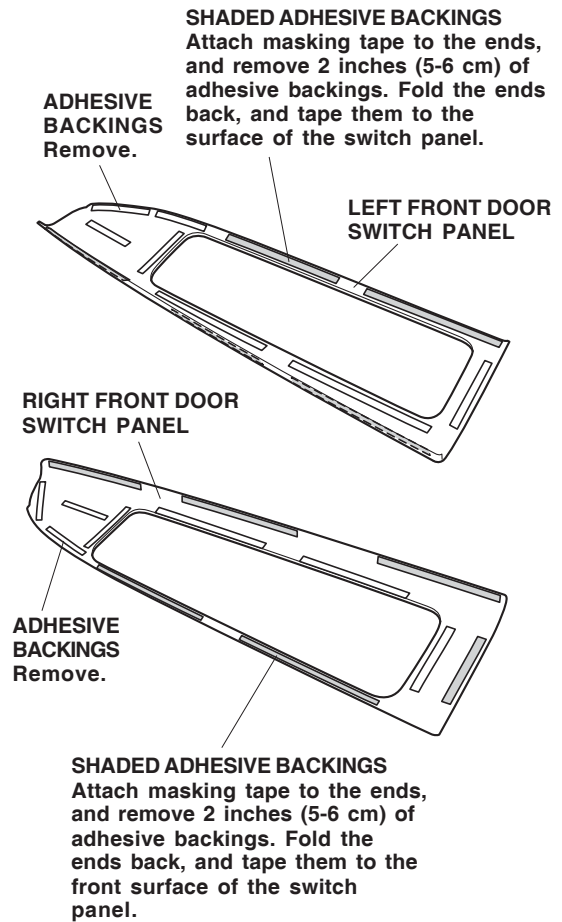


- Position the meter panel on the existing meter panel. While holding pressure on the meter panel, carefully remove the adhesive backings from the meter panel. Hold the meter panel firmly against the existing meter panel with the palm of your hand, particularly at the edges.

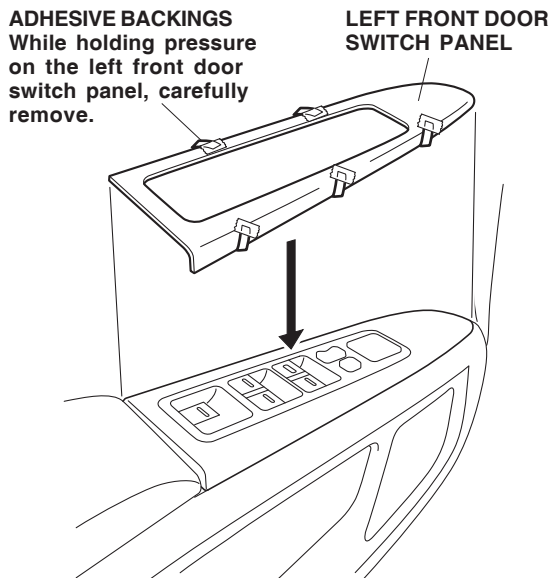


Installing the Front Door Switch Panel

- Using isopropyl alcohol on a shop towel, clean the area where the front door switch panel will attach.
- Remove 2 inches (5-6 cm) of the shaded adhesive backings and use masking tape to tape them to the top surface of the left front door switch panel. Remove all remaining adhesive backings from the left front door switch panel.



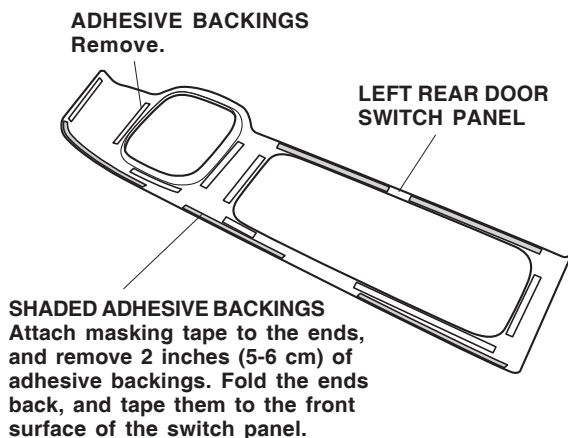
- Position the new left front door switch panel on the existing front door switch panel. While holding pressure on the left front door switch panel, carefully remove the adhesive backings from the left front door switch panel. Hold the left front door switch panel firmly against the existing front door switch panel with the palm of your hand, particularly at the edges.



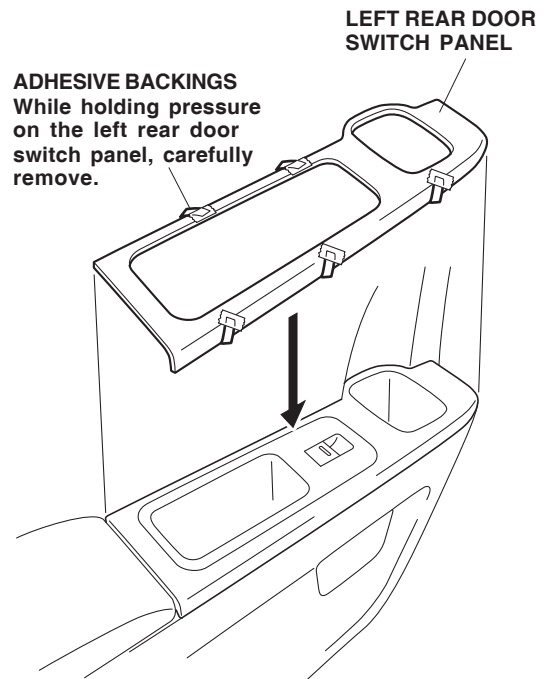
- Repeat steps 4 thru 6 to install the right front door switch panel.

Installing the Rear Door Switch Panel

- Using isopropyl alcohol on a shop towel, clean the area where the rear door switch panel will attach.
- Remove 2 inches (5-6 cm) from the shaded adhesive backings and use masking tape to tape them to the top surface of the left rear door switch panel. Remove all remaining adhesive backings from the left rear door switch panel.



- Position the new left rear door switch panel on the existing rear door switch panel. While holding pressure on the left rear door switch panel, carefully remove the adhesive backings from the left rear door switch panel. Hold the left rear door switch panel firmly against the existing rear door switch panel with the palm of your hand, particularly at the edges.



- Repeat steps 8 thru 10 to install the right rear door switch panel.

USE AND CARE

- Use a soft cloth or sponge dampened with a mild detergent and water solution to clean the panel. Do not use polishing waxes containing compounds or degreasing agents to clean the panel.
- Be sure to convey the above information to your customer when delivering the vehicle to the customer.